

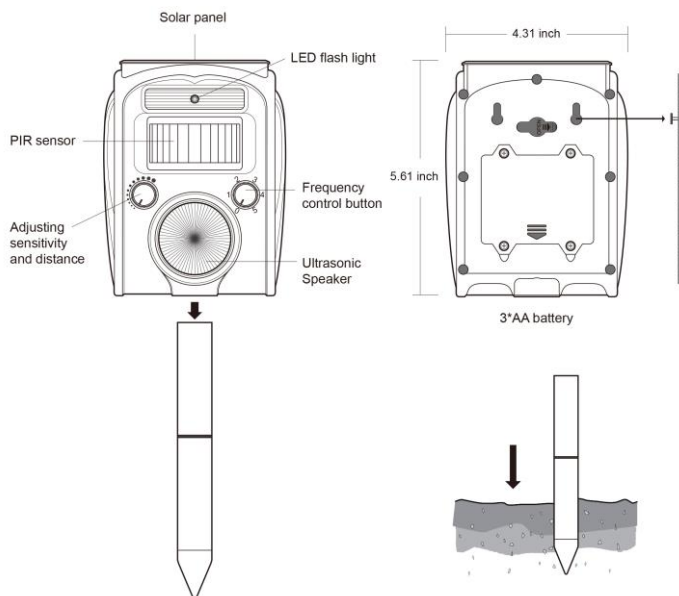
Thank you for purchasing this item. Please read and understand these instructions and keep this manual for future reference. This item uses solar power to recharge the batteries so it is always working after the battery gets recharged. The Passive Infrared sensor (PIR) detects motion and triggers the ultrasonic speaker emitting a tone that animals can feel and thus chases away these animals. USB charging cable included.

### Operation

- A strong ultrasonic wave to frighten animals. The wave is activated when an animal enters the PIR sensor range and when the animal perceives the ultrasonic wave they feel uncomfortable and will run away from the area.
- A strong flashing LED to scare animals. The strong flashing LED will be activated when an animal enters the area, then the animal will be scared by the light and will flee away.
- In order to have a better effect we have added an alarm sound to scare wild animals (newest feature).

### SET UP

- Button "Sensitivity" (Left): You can adjust the item sensitivity and distance. By turning the knob clockwise, you *increase the range of protection*.
- Button "Frequency" (Right): This is to control frequency. By turning the knob clockwise, the frequency will be increased.
- Button "Frequency" position as below:
  - -- 0: OFF
  - - 1: 13.5KHZ-19.5KHZ to repel animals such as mice, rats, dogs, foxes, martens, etc.
  - - 2: 19.5KHZ-24.5KHZ to repel animals such as cats, raccoons, badgers, skunks, etc.
  - - 3: 24.5KHZ-45.5KHZ to repel animals such as bats, birds, rodents, etc.
  - - 4: Alarm and strong flashing LED lights to scare wild animals.
  - - 5: Function together mode 1 - mode 2 - mode 3 and turn on strong flashing.



## **To Assemble and Install (reach out to us at [customers@kingdomproducts.store](mailto:customers@kingdomproducts.store))**

1. Remove the battery compartment on the back; install 3x AA size rechargeable batteries, and then close the battery compartment. (Ni-Mh rechargeable batteries included, so you do not need to do this)
2. Place the unit pointed towards the area that you want to protect (for example, in the flowerbed or against the wall etc.)
3. Remember to choose a place where the solar panel of the top can get sunshine for as long time as possible.
4. If you mount the unit in the ground, insert the spike into the ground carefully. Please leave the spike 5 inches or more above the ground. It is suggested that you dig a hole and then insert the unit to ensure no damage occurs.
5. The item can be inserted in the ground or mounted against the wall or the top part put directly on the flat surface.
6. The unit can be recharged with the included USB charging cable.

## **Technical Specifications**

- Infrared sensor angle: 110 degrees
- Detection range: 26-30 feet depending on animals size (the bigger size, the larger range)
- Power supply: solar power + 3x AA size rechargeable batteries or USB charging cable (included) or 9V adapter (not included).
- If adapter plugged, the item will keep working, but the PIR sensor will not work.
- If there are a few days of clouds or rain, you can charge the item through the USB charging cable.
- Red LED: indicates the unit is activated.

## **Batteries usage:**

1. If new rechargeable batteries or batteries in the product are not in use for a long time (more than 1 month), the battery power may be fully released. It is suggested to charge the batteries 3-5 times to re-activate them and they will become normal to use.
2. If the batteries which have been used for a very long time but the unit gets charged fully very soon, it means you need to change the batteries.
3. If the battery cannot be used for a long time, please replace 3 pieces 1.2V AA size rechargeable batteries (Ni-Cd or Ni-Mh) in the battery compartment. The better quality the batteries are, the bigger capacity the batteries have and the better effect the item will have. We are using Ni-Mh batteries (better than Ni-Cd).
4. Please dispose of the used batteries in the recycling center for the used electrical and electronic devices. You can consult your local government directives on used batteries handling for more information.

## **Caution:**

1. It happens that human can hear part of its range. So put the device as far as possible from human life place. Do not install the device in a children and baby playing ground area.
2. Do not cover up the PIR sensor.
3. To clean the device, use damp soft cloth and mild soap with water. Do not use harsh chemicals or abrasive cleaning agents that may damage the device.