



Solar Animal and Bird Repeller

USER INSTRUCTION

Thanks for your purchasing this item. Please read and understand these instructions and keep this manual for future reference. This item uses solar power to recharge the batteries so it is always working after the battery recharged. The Passive Infrared sensor(PIR) detects motion and triggers the ultrasonic speaker emitting a tone that animals can feel and chase away these animals.

Overview

Featuring 5 modes of operation, Solar animal & bird repeller is a versatile and effective bird and animal repellent! Unlike other pest repellents that only offer one repellent mode, it offers Five pest repellent modes to ensure your property is protected from birds, insects, deer, raccoons, armadillos, opossums, skunks, cats, dogs, rodents, bats, geese. Solar animal & bird repeller is ideal for use in gardens, backyards, open patios, courtyards, boats, docks and is designed for long term use, allowing you to place it and leave it to repel pests. It is weatherproof allowing it to work year-round.

Specifications

Product Name	Solar animal repellent
Model No.	GH-516
Materials	ABS Plastic
Power Supply	Solar or USB cable (included)
Solar Panel	4.V, 55mA // Polysilicon 50*50mm
Working Voltage/Current	3.7V/60mA // DC 5V 500mah
Battery	3.7V, 2000mAh, 18650 Lithium Battery
Waterproof Grade	IP44
Sensor Distance	6-8meters (depends on environment, temperature)
Detection Range	220°// 2-side PIR Sensors
DB Value	90-110dB
Indicator lights	Red light - Working Blue light - Charging Light off - fully charged
Ultrasonic Frequency	9-45.5kHz
Seven-color flash LED	6pcs // Only light up when working at night mode// When LED lights working, the light blinks slowly for 5 seconds, then blinks fast for 10 seconds(work cycle two times, in total 30s)

SET UP

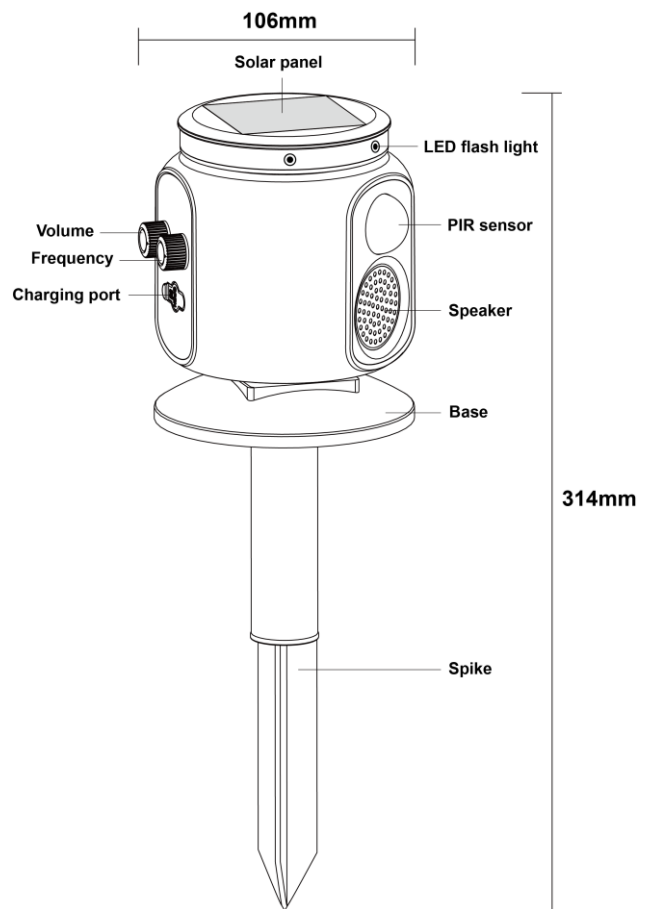
- - Button "Volume" (Left): By turning the knob clockwise, you can adjust the sound from minimum to maximum.
- - Button "Frequency" (Right): This is to control frequency. By turning the knob clockwise, the frequency will be increased.
- - Button "Frequency" position as below (it will be works 30 seconds after activated in each mode):

Day mode:

- - 0: OFF
- - 1: 9KHZ-19.5KHZ to repel animals such as mice, rats, dogs, foxes, martens etc
- - 2: 19.5KHZ-24.5KHZ to repel animals such as cats, raccoons, badgers, skunks etc
- - 3: 24.5KHZ-45.5KHZ to repel animals such as bats, birds, rodents etc
- - 4: Alarm to scare wild animals and birds
- - 5: Function together mode 1 + model 2 + model 3

Night mode:

- - 0: OFF
- - 1: 9KHZ-19.5KHZ and strong Seven-color LED flashing lights
- - 2: 19.5KHZ-24.5KHZ and strong Seven-color LED flashing lights
- - 3: 24.5KHZ-45.5KHZ and strong Seven-color LED flashing lights
- - 4: Alarm and and strong Seven-color LED flashing lights
- - 5: Function together mode 1 + model 2 + model 3 +and strong Seven-color LED flashing lights



To Assemble and Install

1. Before installatiion, please charge the product's battery under sunshine for 12 hours, or charge with USB cable for 6 hours while the unit in the "OFF" position.
2. Assemble the poles one by one and connect to the main part.
3. Insert the sharp poles into the ground, fix against the wall, or put on the top of things with flat surface directly as you required. (Place the unit pointed towards the area that you want to protect)
4. Remember to choose a place where the solar panel of the top can get as long time sunshine as possible.
5. If you mount the unit in the ground, insert the spike into the ground carefully. Please leave the spike 12cm or more above the ground. It is suggested that you dig a hole and then insert the unit to ensure no damage occurs.

Caution:

1. It happens that human can hear part of its range. So put the device as far as possible from human life place. Do not install the device in a children and baby playing ground area.
2. Do not cover up the PIR sensor, otherwise the unit will not work.
3. To clean the device, use damp-soft and mild soap with water. Do not use harsh chemicals or abrasive cleaning agents that may damage the device.